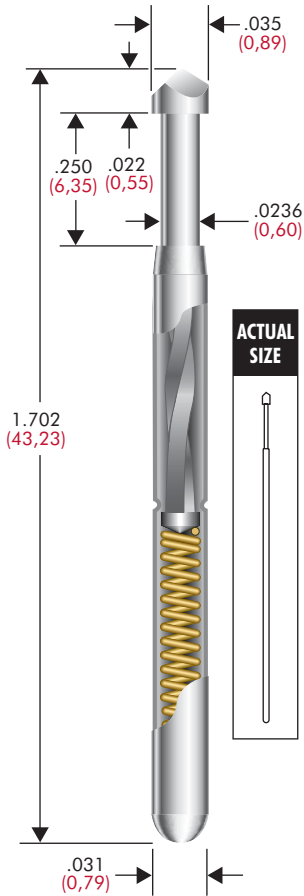
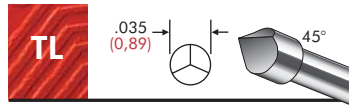


SJO ROTATOR[®]



BeCu PLUNGERS



PROBE SPECIFICATIONS

Minimum Centers: .050 (1,27)
Current Rating: 3 amps continuous
Spring Force: 3.6, 5.5, 7.0 or 10.0 oz. @ .170 (4,32) travel
Contact Resistance: <17 mΩ
Maximum Travel: .250 (6,35)
Working Travel: .170 (4,32)
Rotates: 85° @ .170 (4,32) travel

Rated Force oz (gms)	Preload oz (gms)
3.6 (102)	2.0 (57)
5.5 (156)	2.9 (82)
7.0 (198)	2.6 (74)
10.0 (284)	2.6 (74)

MATERIALS

Barrel: DuraGold[®]
Spring: Stainless steel or music wire, gold plated
Plunger: Full-hard beryllium copper, Duralloy[™]

HOW TO ORDER: SPRING CONTACT PROBE

SJ	0	TL	3.6	RT
SERIES	SIZE	TIP STYLE	SPRING FORCE	PLATING OPTIONS

SPRING FORCE:
 3.6 oz. @ .170 (4,32) travel
 5.5 oz. @ .170 (4,32) travel
 7.0 oz. @ .170 (4,32) travel
 10.0 oz. @ .170 (4,32) travel

For more information on Rotators, see page 124