

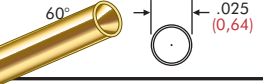
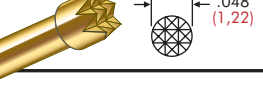








BeCu PLUNGER TIPS

| | |
|------------------------------------------------------------------------------------|-------------------------------------------------------------------|
|  | A |
|  | B |
|  | G |
|  | H |
|  | HS |
|  | J |
|  | T |
|  | TX |
|  | U |
|  | V8 NEW |

PROBE SPECIFICATIONS


Minimum Centers: .075 (1,91)
 Current Rating: 3 amps continuous
 Spring Force: 5.0, 7.0 or 10.0 oz. @ .170 (4,32) travel
 Typical Resistance: < 15 mΩ
 Working Travel: .170 (4,32)

| Rated Force oz (gms) | Preload oz (gms) |
|-------------------------|---------------------|
| 5.0 (142) | 2.0 (57) |
| 7.0 (198) | 2.9 (82) |
| 10.0 (283) | 3.3 (94) |

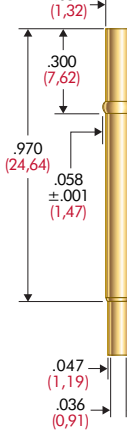

MATERIALS

Barrel: G2
 Spring: Music wire, nickel plated
 Plunger: Full-hard beryllium copper or steel, gold plated over nickel
 Receptacle:
 High Performance Series (R or RX): Nickel/silver, gold plated; gold plated post
 Standard Series (RS or RSX): Nickel/silver, gold plated post

ICT-075 PROBE


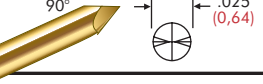



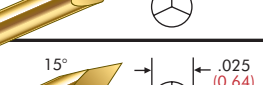



R-075 Receptacle

| R Series | RX Series |
|-------------------------------------------------------------------------------------|-------------------------------------------------------------------------------------|
|  |  |
| .052 (1,32) .300 (7,62) .970 (24,64) .058 ±.001 (1,47) | .425 (10,80) 1.170 (29,72) |
| .047 (1,19) | |
| .036 (0,91) | |

Drill Size: 1,45mm
 Mounting Hole Size: .055/.057 (1,40/1,45)
 Recommended Wire: 24-28 gage

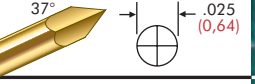
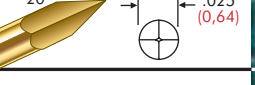


STEEL PLUNGER TIPS

| | |
|------------------------------------------------------------------------------------|------------|
|  | B |
|  | M |
|  | NT |
|  | R |
|  | S |
|  | SP |
|  | SPB |

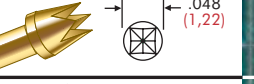


RECEPTACLE OPTIONS

| Part Number | Style | Receptacle Length | Probe/Receptacle Combined Length | Comments |
|----------------|------------|-------------------|----------------------------------|------------------------------|
| R-075-CR | Crimp | 1.170 (29,72) | 1.500 (38,10) | — |
| R-075-SC | Solder Cup | 1.170 (29,72) | 1.500 (38,10) | — |
| R-075-RP | Round Post | 1.545 (39,24) | 1.875 (47,63) | .375 post length - .025 dia. |
| R-075-WW-429 | Wire Wrap | 1.599 (40,61) | 1.929 (49,00) | .429 post length - .025 sq. |
| R-075-WW-694 | Wire Wrap | 1.864 (47,35) | 2.194 (55,73) | .694 post length - .025 sq. |
| R-075-WW-1.044 | Wire Wrap | 2.214 (56,24) | 2.544 (64,62) | 1.044 post length - .025 sq. |

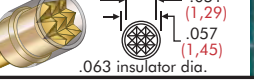
STEEL PLUNGER TIPS

| | |
|-------------------------------------------------------------------------------------|------------|
|  | SW |
|  | SWS |
|  | U |
|  | UR |

STEEL PLUNGER TIPS

| | |
|--------------------------------------------------------------------------------------|------------|
|  | VLT |
|  | VT |
|  | Y |

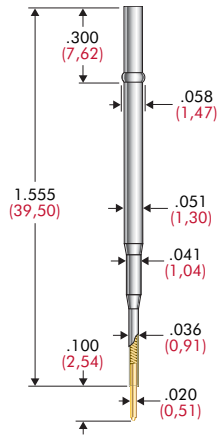
INSULATED PLUNGER TIP*



HSC NEW

* Available in beryllium copper only

**R-075-J-DE
Wireless Receptacle**



Drill Size: 1,45mm
Mounting Hole Size: .055/.057 (1,40/1,45)

For more information, see page 25.

PROBE SPECIFICATIONS

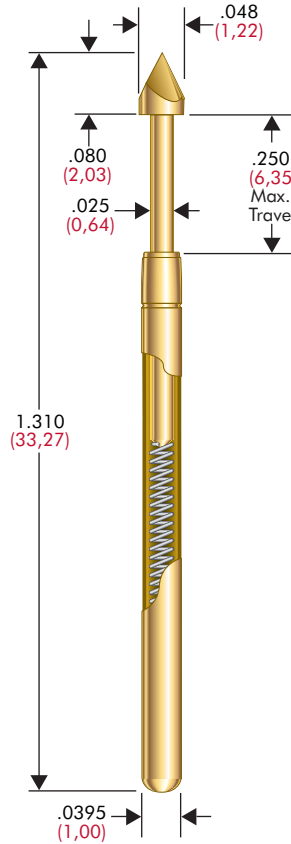
Minimum Centers: .075 (1,91)
Current Rating: 3 amps continuous
Spring Force: 3.0, 5.0, 7.0 or 10.0 oz. @ .170 (4,32) travel
Typical Resistance: <25 mΩ
Working Travel: .170 (4,32)

| Rated Force oz (gms) | Preload oz (gms) |
|-------------------------|---------------------|
| 3.0 (85) | 1.2 (34) |
| 5.0 (142) | 2.0 (57) |
| 7.0 (198) | 2.9 (82) |
| 10.0 (283) | 3.3 (94) |

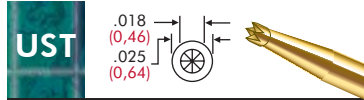
MATERIALS

Barrel: G2
Spring: Music wire, nickel plated
Plunger: Full-hard beryllium copper or steel, gold plated over nickel
Receptacle:
High Performance Series (R or RX): Nickel/silver, gold plated; gold plated post
Standard Series (RS or RSX): Nickel/silver, gold plated post

S-075 PROBE



STEEL PLUNGER TIP



NOTE: The above plunger tip is only available in the S-075 series. All plunger tips offered in the ICT-075 series are also available in the S-075 series.

HOW TO ORDER:

SPRING CONTACT PROBE

RECEPTACLE

ICT

SERIES

075

SIZE

R

TIP STYLE

5.0

SPRING FORCE

G

PLATING OPTION

S

STEEL PLUNGER OPTION

SERIES:

ICT: High Performance
S: Standard Performance, (No Bifurcated Beam)

CRIMPING PLIERS: CPR075
INSERTION TOOL: RTR075

SPRING FORCE:

3.0 oz. @ .170 (4,32) travel*
5.0 oz. @ .170 (4,32) travel
7.0 oz. @ .170 (4,32) travel
10.0 oz. @ .170 (4,32) travel

* S-075 Series only

R

SERIES

075

SIZE

WW

TERMINATION

429

POST LENGTH

SERIES:

R: High Performance
RX: Improved Pointing Accuracy, High Performance
RS: Standard Performance
RSX: Improved Pointing Accuracy, Standard Performance

TERMINATIONS:

CR: Crimp
SC: Solder Cup
RP: Round Post
WW: Wire Wrap

POST LENGTH:
WW: 429, 694 or 1.044

View updates of this information at www.idinet.com

Specifications subject to change without notice. Dimensions in inches (millimeters)