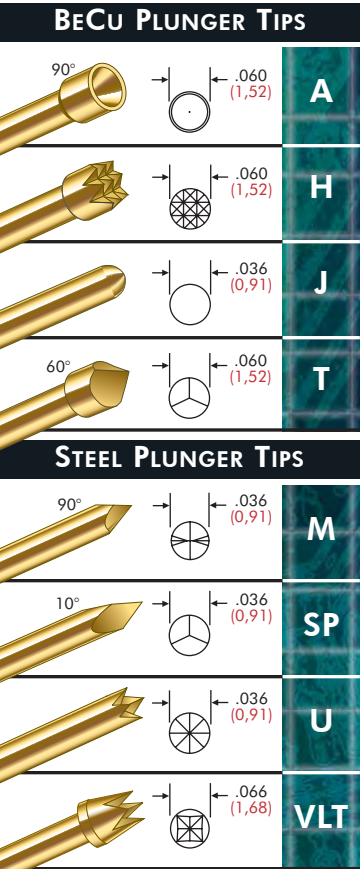


ICT-L100 SIZE 100 .100 CENTERS



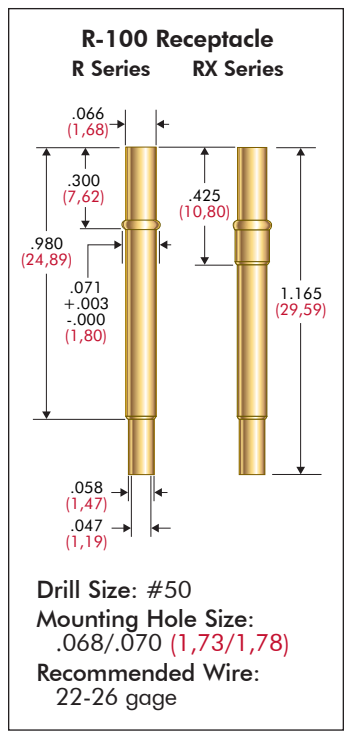
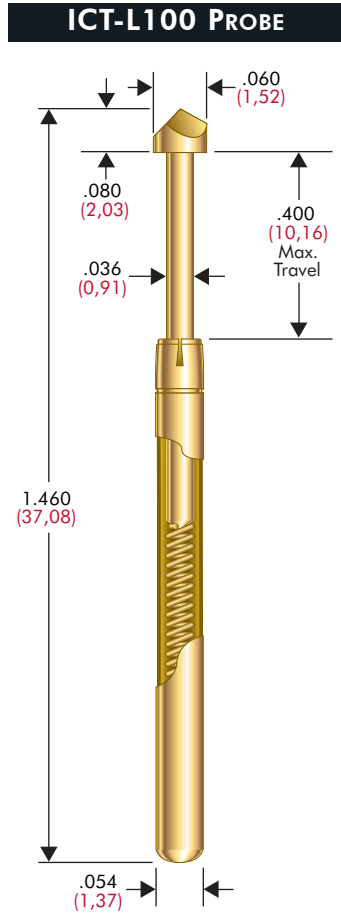
PROBE SPECIFICATIONS

Minimum Centers: .100 (2,54)
 Current Rating: 3 amps continuous
 Spring Force: 5.7 oz. @.317 (8,05) travel
 Typical Resistance: <10 mΩ
 Working Travel: .317 (8,05)

Rated Force oz (gms)	Preload oz (gms)
5.7 (162)	1.8 (51)

MATERIALS

Barrel: G2
 Spring: Music wire, gold plated over nickel
 Plunger: Full-hard beryllium copper or steel, gold plated over nickel
 Receptacle: High Performance Series (R or RX): Nickel/silver, gold plated; gold plated post
 Standard Series (RS or RSX): Nickel/silver, gold plated post



RECEPTACLE OPTIONS

Part Number	Style	Receptacle Length	Probe/Receptacle Combined Length	Comments
R-100-CR	Crimp	1.165 (29,59)	1.645 (41,78)	—
R-100-SC	Solder Cup	1.165 (29,59)	1.645 (41,78)	—
R-100-RP	Round Post	1.540 (39,12)	2.020 (51,31)	.375 post length - .025 dia.
R-100-WW-429	Wire Wrap	1.594 (40,49)	2.074 (52,68)	.429 post length - .025 sq.
R-100-WW-694	Wire Wrap	1.859 (47,22)	2.339 (59,41)	.694 post length - .025 sq.
R-100-WW-1.044	Wire Wrap	2.209 (56,11)	2.689 (68,30)	1.044 post length - .025 sq.

HOW TO ORDER: SPRING CONTACT PROBE

ICT SERIES	L100 SIZE	T TIP STYLE	5.7 SPRING FORCE	G PLATING OPTION	S STEEL PLUNGER OPTION
----------------------	---------------------	-----------------------	----------------------------	----------------------------	----------------------------------

SERIES: ICT: High Performance
 CRIMPING PLIERS: CPR100
 INSERTION TOOL: RTR100

SPRING FORCE: 5.7 oz. @ .317 (8,05) travel

R SERIES	100 SIZE	WW TERMINATION	429 POST LENGTH
--------------------	--------------------	--------------------------	---------------------------

SERIES: R: High Performance
 RX: Improved Pointing Accuracy, High Performance
 RS: Standard Performance
 RSX: Improved Pointing Accuracy, Standard Performance

TERMINATIONS: CR: Crimp
 SC: Solder Cup
 WW: Wire Wrap
 RP: Round Post

POST LENGTH: WW: 429, 694 or 1.044

View updates of this information at www.idinet.com

Specifications subject to change without notice. Dimensions in inches (millimeters)