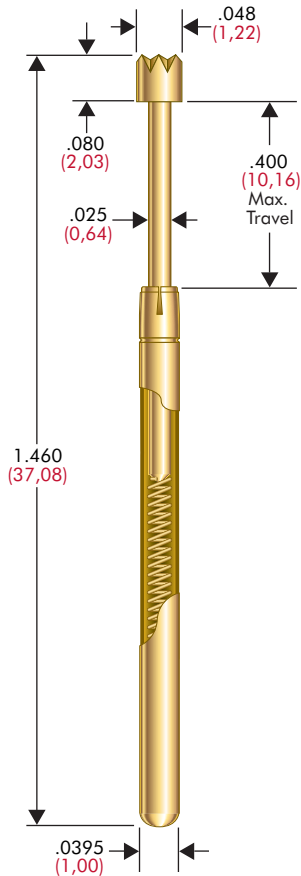
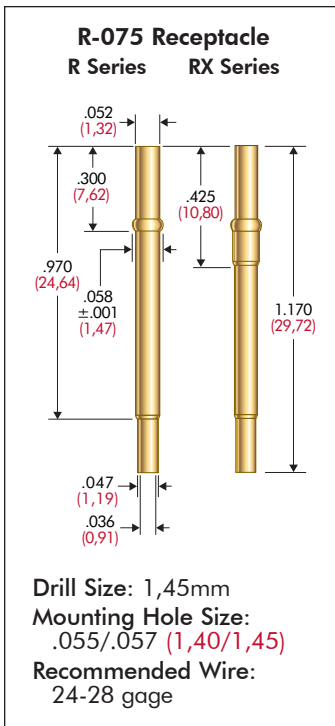


ICT-L075 PROBE



PROBE SPECIFICATIONS

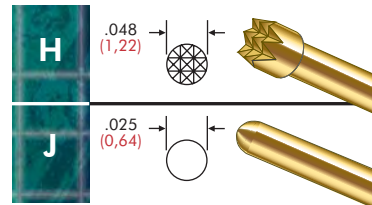
Minimum Centers: .075 (1,91)
Current Rating: 3 amps continuous
Spring Force: 4.3 oz. @ .317 (8,05) travel
Typical Resistance: <15 mΩ
Working Travel: .317 (8,05)

Rated Force oz (gms)	Preload oz (gms)
4.3 (122)	1.8 (51)

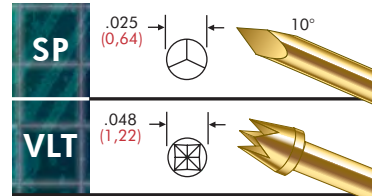
MATERIALS

Barrel: G2
Spring: Music wire, gold plated over nickel
Plunger: Full-hard beryllium copper or steel, gold plated over nickel
Receptacle: High Performance Series (R or RX): Nickel/silver, gold plated; gold plated post
Standard Performance (RS or RSX): Nickel/silver, gold plated post

BE CU PLUNGER TIPS



STEEL PLUNGER TIPS



RECEPTACLE OPTIONS

Part Number	Style	Receptacle Length	Probe/Receptacle Combined Length	Comments
R-075-CR	Crimp	1.170 (29,72)	1.650 (41,91)	—
R-075-SC	Solder Cup	1.170 (29,72)	1.650 (41,91)	—
R-075-RP	Round Post	1.545 (39,24)	2.025 (51,44)	.375 post length - .025 dia.
R-075-WW-429	Wire Wrap	1.599 (40,61)	2.079 (52,81)	.429 post length - .025 sq.
R-075-WW-694	Wire Wrap	1.864 (47,35)	2.344 (59,54)	.694 post length - .025 sq.
R-075-WW-1.044	Wire Wrap	2.214 (56,24)	2.694 (68,43)	1.044 post length - .025 sq.

HOW TO ORDER: SPRING CONTACT PROBE

ICT **L075** **H** **4.3** **G** **S**
SERIES SIZE TIP STYLE SPRING FORCE PLATING OPTION STEEL PLUNGER OPTION

SERIES: ICT: High Performance SPRING FORCE: 4.3 oz. @ .317 (8,05) travel

CRIMPING PLIERS: CPR075
INSERTION TOOL: RTR075

RECEPTACLE

R **075** **WW** **429**
SERIES SIZE TERMINATION POST LENGTH

SERIES:
R: High Performance
RX: Improved Pointing Accuracy, High Performance
RS: Standard Performance
RSX: Improved Pointing Accuracy, Standard Performance

TERMINATIONS:
CR: Crimp
SC: Solder Cup
WW: Wire Wrap
RP: Round Post
POST LENGTH:
WW: 429, 694 or 1.044

View updates of this information at www.idinet.com

Specifications subject to change without notice. Dimensions in inches (millimeters)