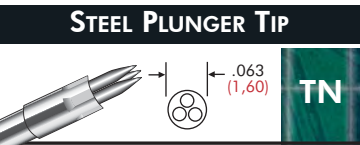


Tri-Needle .100 CENTERS



PROBE SPECIFICATIONS

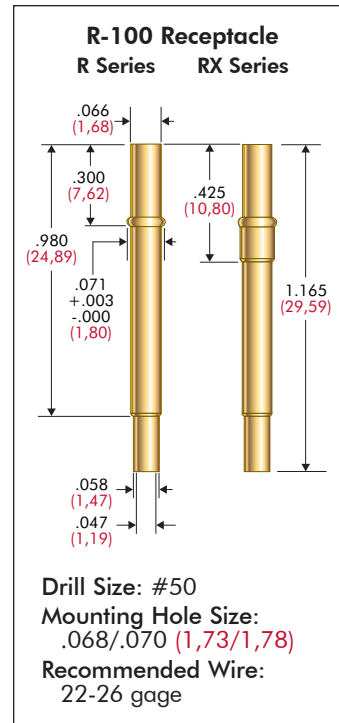
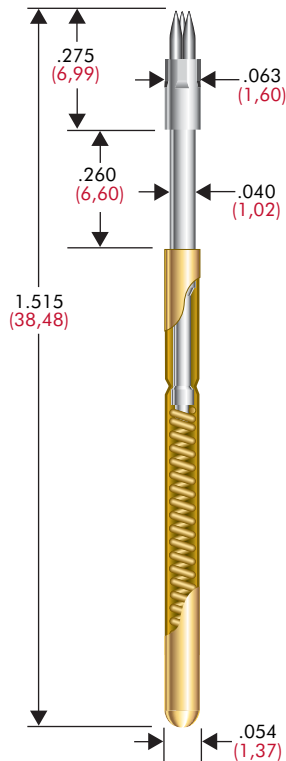
Minimum Centers: .100 (2,54)
 Current Rating: 3 amps continuous
 Spring Force: 4.0, 5.5, 6.7, 8.0 or 10.0 oz. @ .170 (4,32) travel
 Contact Resistance: <25 mΩ
 Maximum Travel: .250 (6,35)
 Working Travel: .170 (4,32)

Rated Force oz (gms)	Preload oz (gms)	Material
4.0 (113)	1.5 (43)	SS
5.5 (156)	0.9 (26)	MW
6.7 (190)	1.5 (43)	SS
8.0 (227)	2.8 (80)	MW
10.0 (283)	1.8 (51)	MW

MATERIALS

Contact Barrel: G2
 Spring: Stainless steel or music wire, precious metal plated
 Plunger: Steel, nickel plated base with nickel plated needles

TRI-NEEDLE PROBE



RECEPTACLE OPTIONS

Part Number	Style	Receptacle Length	Probe/Receptacle Combined Length	Comments
R-100-CR	Crimp	1.165 (29,59)	1.700 (43,18)	—
R-100-SC	Solder Cup	1.165 (29,59)	1.700 (43,18)	—
R-100-RP	Round Post	1.540 (39,12)	2.075 (52,71)	.375 post length - .025 dia.
R-100-WW-429	Wire Wrap	1.594 (40,49)	2.129 (54,08)	.429 post length - .025 sq.
R-100-WW-694	Wire Wrap	1.859 (47,22)	2.394 (60,81)	.694 post length - .025 sq.
R-100-WW-1.044	Wire Wrap	2.209 (56,11)	2.744 (69,70)	1.044 post length - .025 sq.

HOW TO ORDER: SPRING CONTACT PROBE RECEPTACLE

S SERIES	100 SIZE	TN TIP STYLE	6.7 SPRING FORCE	EN PLATING OPTIONS	R SERIES	100 SIZE	WW TERMINATION	429 POST LENGTH
CRIMPING PLIERS: CPR100 INSERTION TOOL: RTR100 SPRING FORCE: 4.0 oz. @ .170 (4,32) travel 5.5 oz. @ .170 (4,32) travel 6.7 oz. @ .170 (4,32) travel 8.0 oz. @ .170 (4,32) travel 10.0 oz. @ .170 (4,32) travel					SERIES: R: High Performance RX: Improved Pointing Accuracy, High Performance RS: Standard Performance RSX: Improved Pointing Accuracy, Standard Performance TERMINATIONS: CR: Crimp SC: Solder Cup WW: Wire Wrap RP: Round Post POST LENGTH: WW: 429, 694 or 1.044			

View updates of this information at www.idinet.com

Specifications subject to change without notice. Dimensions in inches (millimeters)