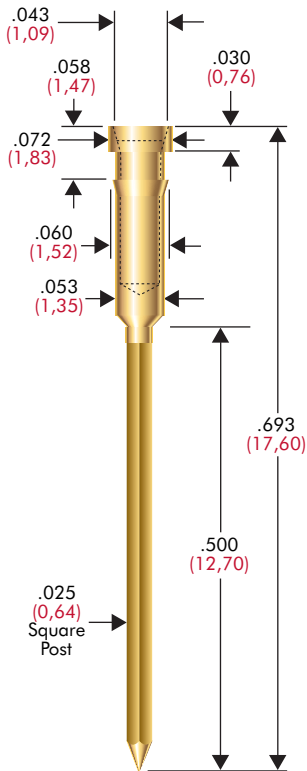
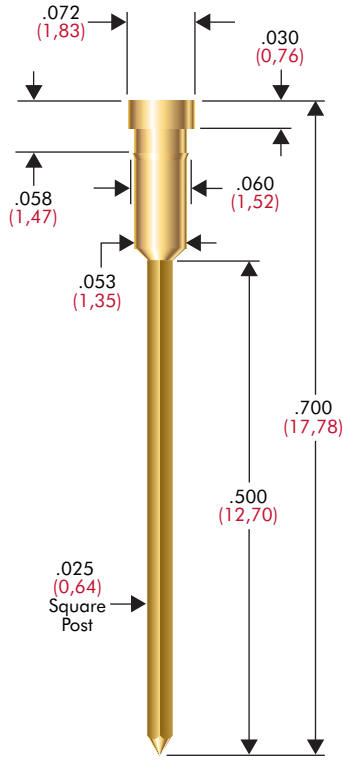


# Interface Pins

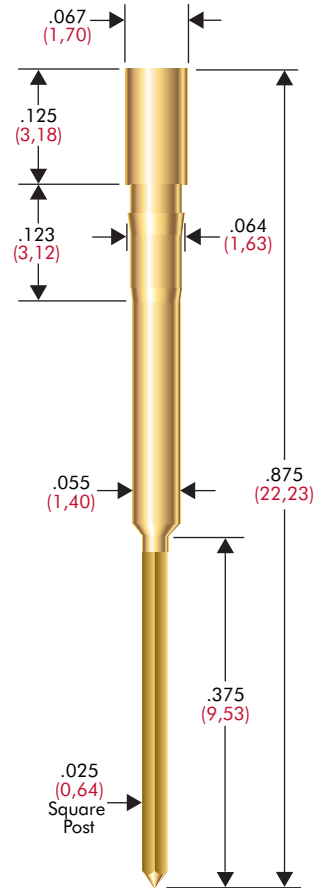
**PI-301**



**PI-410**



**PI-137**



**TYPICAL FIXTURING**

Drill Size: 1,45mm  
Mounting Hole: .057 (1,45)

**MATERIALS**

Material: Brass  
Plating: Gold over nickel

**HOW TO ORDER**

PI-301

Specifications subject to change without notice. Dimensions in inches (millimeters)

**TYPICAL FIXTURING**

Drill Size: 1,45mm  
Mounting Hole: .057 (1,45)

**MATERIALS**

Material: Brass  
Plating: Gold over nickel

**HOW TO ORDER**

PI-410

**TYPICAL FIXTURING**

Drill Size: 1,55mm  
Mounting Hole: .061 (1,55)

**MATERIALS**

Material: Brass  
Plating: Gold over nickel

**HOW TO ORDER**

PI-137