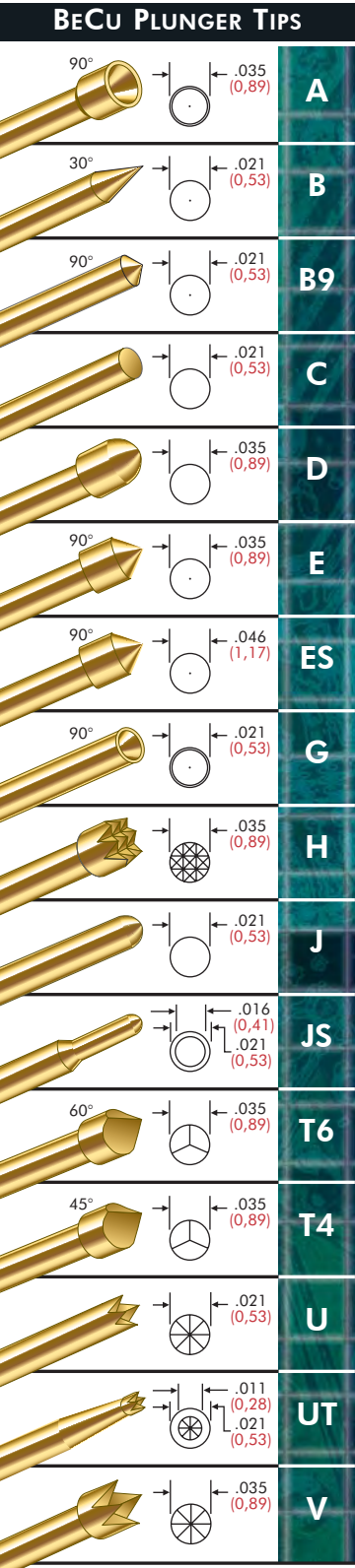


Series S SIZE 0 .050 CENTERS



PROBE SPECIFICATIONS

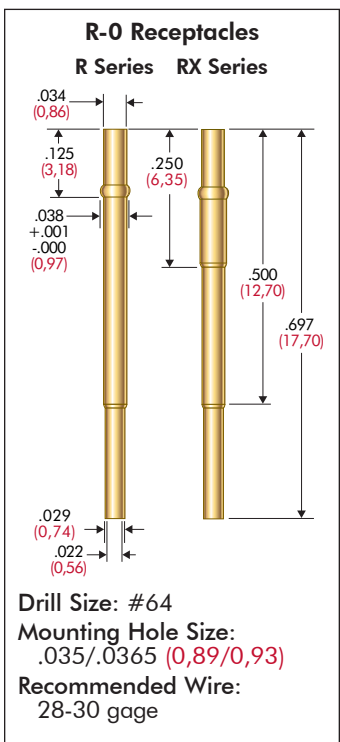
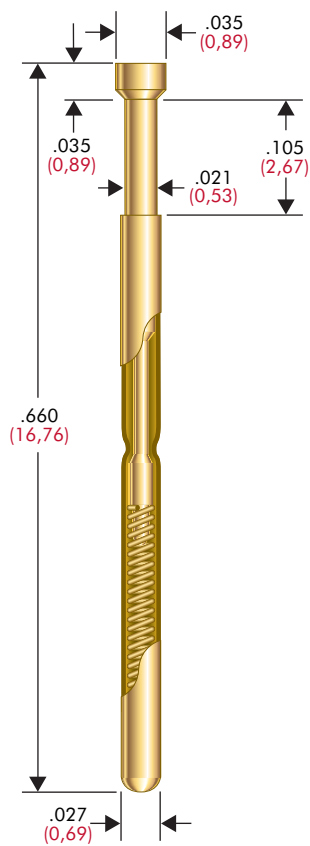
Minimum Centers: .050 (1,27)
 Current Rating: 3 amps continuous
 Spring Force: 2.2, 2.5 or 3.7 oz. @ .070 (1,78) travel
 Typical Resistance : <35 mΩ
 Maximum Travel: .100 (2,54)
 Working Travel: .070 (1,78)

Rated Force oz (gms)	Preload oz (gms)	Material
2.2 (62)	0.6 (17)	BeCu
2.5 (71)	0.6 (17)	SS
3.7 (105)	1.9 (54)	MW

MATERIALS

Barrel: Nickel/silver, gold plated
 Spring: Beryllium copper, music wire or stainless steel, gold plated
 Plunger: Full-hard beryllium copper, gold plated over nickel or optional Duralloy™
 Receptacle: Nickel/silver, gold plated, gold plated post
 Plug-In Terminal: Beryllium copper, gold plated

S-0 PROBE



RECEPTACLE OPTIONS

Part Number	Style	Receptacle Length	Probe/Receptacle Combined Length	Comments
R-0-CR	Crimp	0.697 (17,70)	0.857 (21,77)	—
R-0-SC	Solder Cup	0.697 (17,70)	0.857 (21,77)	—
R-0-WW-016	Wire Wrap	0.947 (24,05)	1.107 (28,12)	.250 post length - .016 sq.
R-0-WW-025	Wire Wrap	0.997 (25,32)	1.157 (29,39)	.300 post length - .025 sq.
R-0-PW	Preattached Wire*	0.697 (17,70)	0.857 (21,77)	30 gage - non vacuum sealed
R-0-DS	Duraseal®	0.697 (17,70)	0.857 (21,77)	30 or 28 gage - vacuum sealed
R-0-WT	Plug-In Receptacle	0.697 (17,70)	0.857 (21,77)	For use with WT-EZ terminal
WT-EZ	Plug-In Terminal*	—	—	Plugs into R-0-WT receptacle

* Unless otherwise specified, wire length 36", strip length 1", 30 gage Kynar

HOW TO ORDER: SPRING CONTACT PROBE RECEPTACLE

S	0	A	2.2	G	R	0	CR
SERIES	SIZE	TIP STYLE	SPRING FORCE	PLATING OPTIONS	SERIES	SIZE	TERMINATION
SERIES: S: Standard SX: Improved Pointing Accuracy		PLATING OPTIONS: G: Gold Plated Plunger D: Duralloy™ Plated Plunger			SERIES: R: High Performance RX: Improved Pointing Accuracy		TERMINATIONS: CR: Crimp SC: Solder Cup WW-016: Wire Wrap .016 sq WW-025: Wire Wrap .025 sq PW: Preattached Wire* DS: Duraseal* WT: Plug-In Receptacle** WT-EZ: Plug-In Terminal*
SPRING FORCE: 2.2 oz. @ .070 (1,78) travel 2.5 oz. @ .070 (1,78) travel 3.7 oz. @ .070 (1,78) travel		CRIMPING PLIERS: CPO INSERTION TOOL: RTO WIRE PLUG TOOL: RTWT			* Unless otherwise specified, wire length 36", strip length 1", 30 gage Kynar ** For use with WT-EZ plug-in terminal		

View updates of this information at www.idinet.com

Specifications subject to change without notice. Dimensions in inches (millimeters)