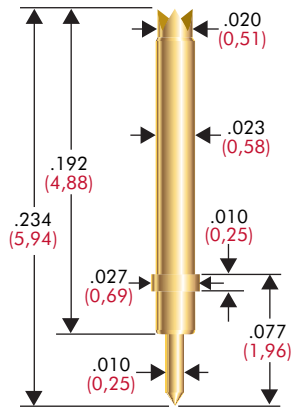


Semiconductor Probes

101084 PROBE



PROBE SPECIFICATIONS

Minimum Pitch: .030 (0,75)
 Signal Path Length: .205 (5,21)
 Force per Contact: 1.25 oz. (35g) @
 .029 (0,74) travel
 Device Compliance: .016 (0,40)
 DUT Board Compliance: .013 (0,33)
 Operating Temperature: -55°C to 150°C
 Insertions: >500,000

ELECTRICAL SPECIFICATIONS

Impedance: 50 Ω characteristic
 Pattern: * 2a @ .039 (1,00) pitch
 Bandwidth: >10 GHz @ -1 dB
 Loop Inductance:
 1.43 nH @ .039 (1,00) pitch
 Capacitance: 0.51 pF
 Typical Resistance: <50 mΩ
 Current Carrying Capacity: 5 amps
 continuous
 (Individual probe in free air @ ambient
 temperature)

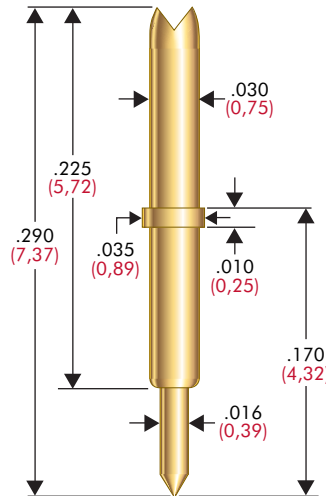
MATERIALS

Barrel: Beryllium copper, gold plated
 Spring: Stainless steel, gold plated
 Plunger: Full-hard beryllium copper,
 gold plated

HOW TO ORDER

101084-001

100929 PROBE



PROBE SPECIFICATIONS

Minimum Pitch: .039 (1,00)
 Signal Path Length: .250 (6,35)
 Force per Contact 1.1 oz (31g) @
 .040 (1,02) travel
 Device Compliance: .035 (0,89)
 DUT Board Compliance: .005 (0,13)
 Operating Temperature: -55°C to 150°C
 Insertions: >500,000

ELECTRICAL SPECIFICATIONS

Impedance: 50 Ω characteristic
 Pattern: * 2a @ .050 (1,27) pitch
 Bandwidth: >10 GHz @ -1 dB
 Loop Inductance:
 1.75 nH @ .050 (1,27) pitch
 Capacitance: 0.62 pF
 Typical Resistance: <50 mΩ
 Current Carrying Capacity: 5 amps
 continuous
 (Individual probe in free air @ ambient
 temperature)

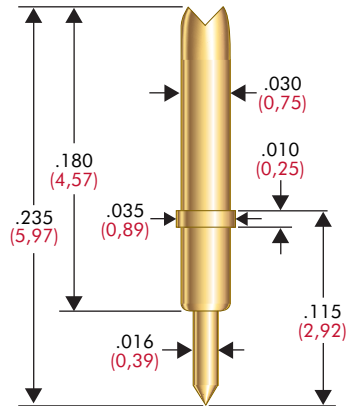
MATERIALS

Barrel: Beryllium copper, gold plated
 Spring: Stainless steel, gold plated
 Plunger: Full-hard beryllium copper,
 gold plated

HOW TO ORDER

100929-001

100881 PROBE



PROBE SPECIFICATIONS

Minimum Pitch: .039 (1,00)
 Signal Path Length: .215 (5,46)
 Force per Contact: 1.0 oz (28g) @
 .020 (0,51) travel
 Device Compliance: .015 (0,38)
 DUT Board Compliance: .005 (0,13)
 Operating Temperature: -55°C to 150°C
 Insertions: >500,000

ELECTRICAL SPECIFICATIONS

Impedance: 50 Ω characteristic
 Pattern: * 2a @ .050 (1,27) pitch
 Bandwidth: >10 GHz @ -1 dB
 Loop Inductance:
 1.50 nH @ .050 (1,27) pitch
 Capacitance: 0.53 pF
 Typical Resistance: <50 mΩ
 Current Carrying Capacity: 5 amps
 continuous
 (Individual probe in free air @ ambient
 temperature)

MATERIALS

Barrel: Beryllium copper, gold plated
 Spring: Stainless steel, gold plated
 Plunger: Full-hard beryllium copper,
 gold plated

HOW TO ORDER

100881-001

* (S=Signal, R=Return) For electrical specifications for alternate patterns, contact IDI or go to www.idinet.com
 For fixturing information on semiconductor probes, see pages 120-121 of the Source Book.
 Specifications subject to change. Dimensions in inches (millimeters)